

Eyeline® Basic Tripod



Matte White material

Offers significant clarity and contrast

Infinite height adjustment

Provides for variable format positioning

Keystone eliminator

Compensates for distorted images in OHP use

Simple installation

Portable Screen with pole support mounting and integral carrying handle

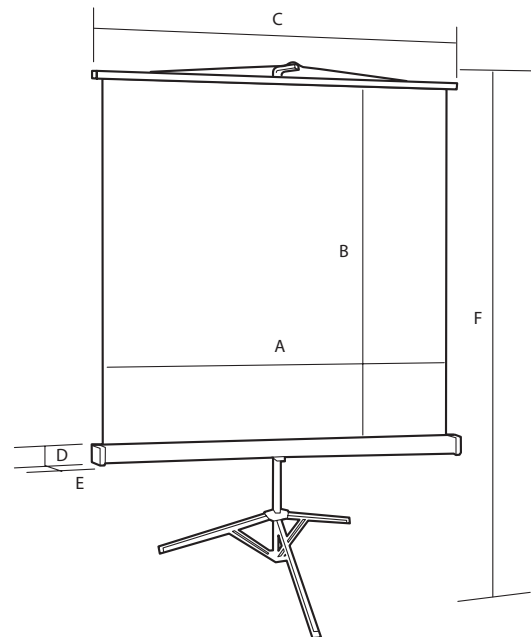
Suitable for all formats

Covers all popular projection formats 1:1, 4:3, 16:9, 16:10

Tripod screens are easy to set-up, adjustable support pole and height of bottom case allow for variable format positioning.

Economically priced for business, education or home.

12 month guarantee



Product Code	Dimension cm	Format	A Screen Width mm	B Screen Height mm	C Case Length mm	D Case Height mm	E Case Depth mm	F Overall Height mm	Weight kg
ET1000	125 x 125	1:1	1250	1250	1290	60	60	1930	8
ET1001	150 x 150	1:1	1500	1500	1540	60	60	2380	10
ET1002	180 x 180	1:1	1800	1800	1840	60	60	2680	12
ET1003	200 x 200	1:1	2000	2000	2040	70	70	2880	13
ET1005	240 x 240	1:1	2400	2400	2440	70	70	3080	18